



4069 GSE

Electric / Diesel / Hybrid Powered Scissor Lift

- 12.2m (40-ft) Platform Height
- VVC Guard Rails (Variable Vertical Collapsing)
- Over-wing Access Door
- Aircraft Padded Protection
- Bumpers with Cut-out Sensors
- Programmable Speed Selection
- Road and Work Lights
- 4wd Drive with Quad-Trax
- Traction Control
- 40% Gradeability
- 1.3m (51 in) Platform Entry
- Fully Proportional Drive & Lift Controls
- 48v DC Electric or 24.8 hp (18.5kW) Diesel or Hybrid Diesel / Electric Power
- 175 cm (69 in) Overall Width
- Roll-Out Deck Extension with Incremental Lock Positions
- Patented Powerlift2 Scissor System
- Outriggers with One-Touch Auto Leveling
- Non-Marking Tires
- Aircraft Grade Powder Coated Surface



AIRCRAFT SCISSOR LIFT (GROUND SUPPORT EQUIPMENT)

Extra Long Slide Out Deck, with:

- Incremental Locking Positions
- Access Door
- Patented Scissor Stack slides to the rear of the machine providing incredible Out-Reach when elevated

Allows for Optimum OverWing Maintenance

APPB (Aircraft Padded Protection Bumpers)

Impressively Low

- 1.3m (51 in) Entry Height
- Keeps material loading low

Dual Rear Entry Gates

Allows for side placement of platform against aircraft fuselage

4069 Aircraft GSE (Ground Support Equipment)



On board access door designed for Over-Wing maintenance



APPB (Aircraft Padded Protection Bumpers) with or without cut-out Sensors



Low Entry of 1.3 m (51 in) and Dual rear Entry gates

4069 Aircraft GSE

(Ground Support Equipment)

4069 AIRCRAFT GSE

(GROUND SUPPORT EQUIPMENT)

VVC (Variable Vertically Collapsing) Guard Rail System

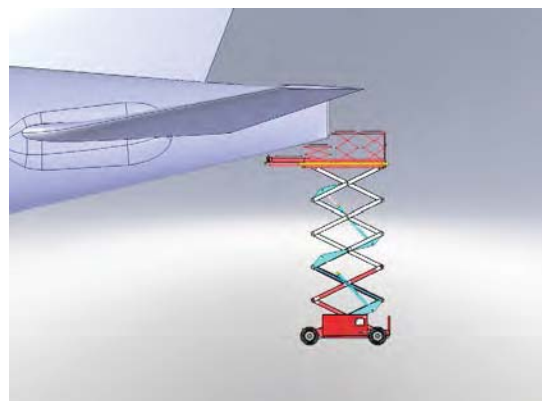
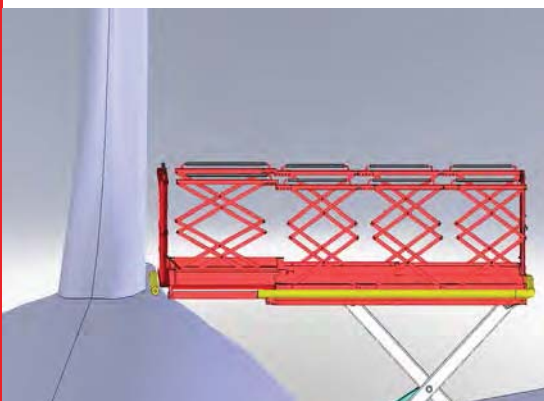
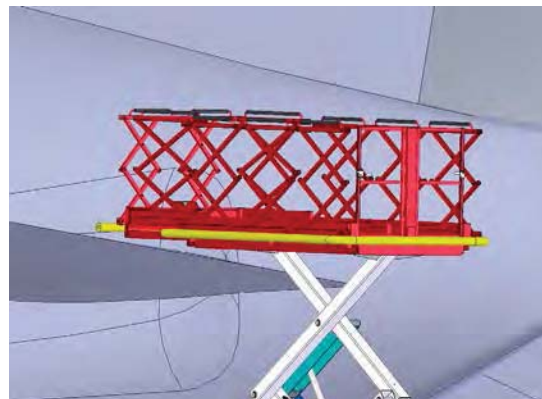
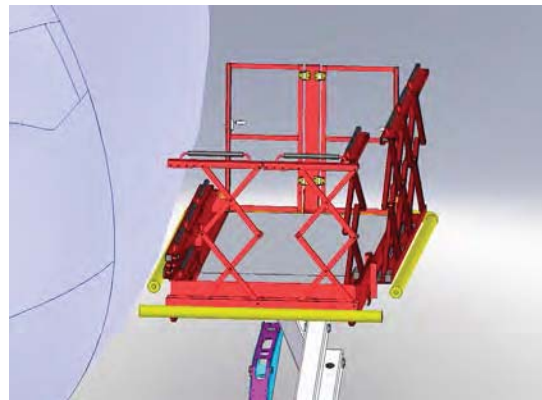
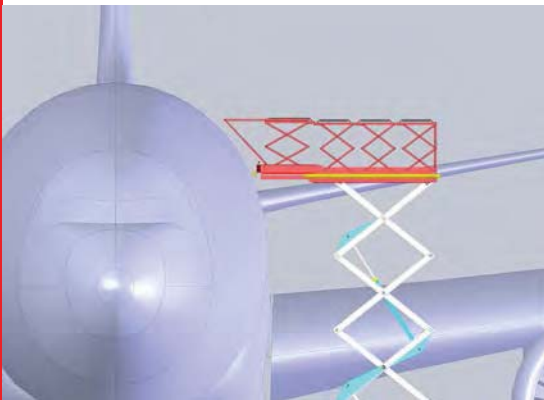
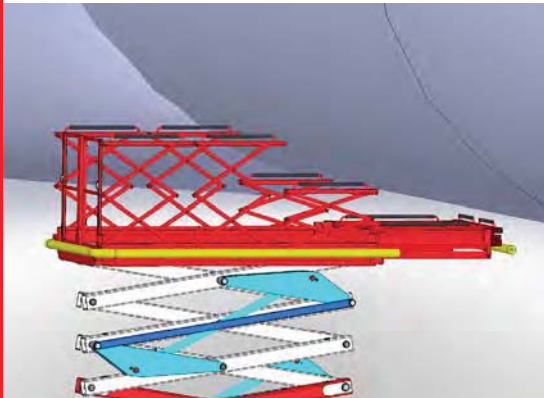
Allows access from the front or side of the platform when positioned on the:

- Lower section of the Fuselage
- Mid section of the fuselage
- Upper section of the Fuselage
- Tail section

Impressive Platform Out-Reach

With the rear sliding scissor stack and the extra long slide out deck, Up and Over reach becomes an easy task when access is required for:

- Over-Wing
- Above fuselage



Features

Work Area

VVC (Variable Vertical Collapsing) Guard Rail System
 Over-Wing Access Door
 APPB (Aircraft Padded Protection Bumpers) with or without Cut-out Sensors
 Super-low platform entry height
 Roll-out deck extension with incremental locking positions
 Dual Entry Swing Gates
 LED Work Lights
 Power to Platform

Performance

4-Wheel Drive with Quad-Trax Traction Control 40% Gradeability
 Fully Proportional Drive and Lift Controls

Power

48v 375 Ah (420 Ah optional) DC Electric or 24.8 hp (18.5 kW) Kubota Diesel or Hybrid Diesel / Electric

Serviceability

Lubrication-free scissor bearings
 Easy maintenance access to mechanical and electrical components without raising platform or swinging out trays
 Logically grouped components and numbered wiring for easy reference

Safety

Dedicated compartments protect electrical and hydraulic components
 Emergency shut-off at platform and lower controls
 Non-skid metal deck construction
 Descent alarm
 Drive speed interlock
 Multi-axis tilt sensor
 4 Multiple disc brakes with manual brake release
 4-wheel automatic parking brake
 Scissor maintenance lock

Other Features

Industrial grade, solid-state battery charger (Electric and Hybrid model)
 Battery charge indicator (Electric and Hybrid model)
 Hour meter
 Powder coat finish
 Machine tie downs

Optional Features

Lanyard Attachments (6) (Standard on CE Models)	Non-Marking RT Tires
Flashing Beacon (continuous)	Foam Filled Tires (Standard on CE Models)
Automotive Horn	Turf Terrain Tires
Removable Upper Controls	Australian Compliant Options
Air Line to Platform	CSA Compliant Options
All Motion Alarm	CE Compliant Options
Auto-Leveling Outriggers	1- or 2-Year Extended warranty
Platform Work Lights	



Model	4069RT-A / 4069ERT-A	
	U.S.	Metric
Heights		
Working Height*	46 ft	14.2 m
Platform Height	40 ft	12.2 m
Stowed Height (Top Guardrail)	98.5 in	2.50 m
Stowed Height (Rails Collapsed)	78 in	1.98 m
Stowed Height (Platform Floor)	51 in	1.30 m
Guardrail height	43.5 in	1.11 m
Toeboard Height	6 in	15 cm
Ground Clearance	10 in	25 cm
Dimensions		
Length - Stowed (Overall)	126 in	3.20 m
Width	69 in	1.75 m
Platform Length (Extended)	166 in	4.22 m
Platform Length (Retracted)	118 in	3.00 m
Wheelbase	94.5 in	2.40 m
Total Lift Capacity	900 lb	408 kg
Roll-Out deck Capacity	250 lb	113 kg
Personnel Capacity	2	2
Speed		
Drive Speed Stowed Position	3.75 mph	6.0 km/h
Performance		
Turning radius (inside)	79 in	2.00 m
Weight (Approximately**)	10,800 lbs	4900 kg
Tires (RT Tread)	26 x 12 in	66 x 33 cm
Gradeability	40%	
Optional Outrigger Range	10° side to side	
Brakes	Spring-applied hydraulically released 4 wheel - multi-disc	
Power Source	48Vdc - 375 Ah battery pack or 24.8 hp Kubota D1105 or Hybrid Diesel / Electric	
Drive	Hydraulic Drive	
Controls	Proportional drive and lift controls	

*Metric equivalent of working height adds 2m to platform height. U.S. adds 6 ft. to platform height.
 **Including outriggers. Weight may change with certain options or configurations. When platform is elevated, all models must be on firm, level surface.

Important - MEC scissor lifts must be on a firm level surface while elevated. **Warranty**-MEC Aerial Platform carry a one (1) year warranty on defective component parts and a five (5) years warranty on defective structural parts. This warranty applies to the original owner only. Consult your MEC dealer for warranty details.

Meets or exceeds the requirements of ANSI A92.6-2006, CSA B354.2-01, AS 1418.10 and CE Compliance and may change without notice. Photos and diagrams in this brochure are for illustrative purposes only. Contact your MEC representative for detailed instructions on the proper use and maintenance of this equipment.

Distributed by: