

Features

EASILY CONFIGURED TO MEET YOUR NEEDS

FORK OPTIONS

- Load platform
- Fork extensions

POWER OPTIONS

- One-speed winch
- Two-speed winch*

BASE

- Standard base

CASTER

- Standard casters

OPTIONS & ACCESSORIES

PRODUCTIVITY

- Load platform
- Fork extensions

POWER

- Two-speed winch*

*Available after market only

STANDARD FEATURES

MEASUREMENTS

ST™-20

- 6.46 m (21 ft 2.5 in) maximum working height
- Up to 363 kg (800 lb) load capacity

ST™-25

- 7.94 m (26 ft .5 in) maximum working height
- Up to 295 kg (650 lb) load capacity

PRODUCTIVITY

- Use as a single unit, or two or more can be used together to support trusses
- Flat black anodized finish is nearly invisible to audience
- Portable and compact design
- Lightweight, durable aluminum construction
- Single-door access
- Easy set-up with no tools required
- Durable steel forks
- Hand winch locks in place when handle is released
- Easy to transport—no bulky base
- Hold-down mechanism secures carriage during transport

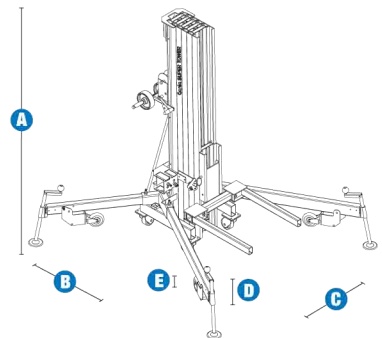
POWER

- One-speed winch
- Reversible winch handle for easy storage



Specifications

| MODELS | ST™ -20 | | ST™ -25 | |
|---------------------------------------|------------------|--------------------|------------------|--------------------|
| MEASUREMENTS | Metric | US | Metric | US |
| A Height - stowed | 2.2 m | 6 ft 6.75 in | 2.2 m | 6 ft 6.75 in |
| B Length - stowed | 64 cm | 2 ft 1.25 in | 64 cm | 2 ft 1.25 in |
| C Width - stowed | 56 cm | 1 ft 10 in | 56 cm | 1 ft 10 in |
| D Load height minimum | 15 cm | 6 in | 15 cm | 6 in |
| E Ground clearance - centre | 5 cm | 2 in | 5 cm | 2 in |
| Working height - forks up | 6.46 m | 21 ft 2.5 in | 7.94 m | 26 ft .5 in |
| - forks down | 5.94 m | 19 ft 6 in | 7.42 m | 24 ft 4 in |
| PRODUCTIVITY | | | | |
| Load capacity - at 46 cm load centre | 363 kg | 800 lbs | 295 kg | 650 lbs |
| Length - adjustable forks | 70 cm | 27.5 in | 70 cm | 27.5 in |
| Width - adjustable forks | 29-76 cm | 11.5-30 in | 29-76 cm | 11.5-30 in |
| Fork extensions detached each (l/w/d) | 76/5/8 cm; 2 kg | 30/2/3 in; 4.5 lbs | 76/5/8 cm; 2 kg | 30/2/3 in; 4.5 lbs |
| Fork extensions attached each (l/w/d) | 64/5/8 cm; 2 kg | 25/2/3 in; 4.5 lbs | 64/5/8 cm; 2 kg | 25/2/3 in; 4.5 lbs |
| Weight - adjustable forks | 24 kg | 52.5 lbs | 24 kg | 52.5 lbs |
| Outrigger footprint | 1.87 x 2.02 m | 73.5 x 79.5 in | 1.87 x 2.02 m | 73.5 x 79.5 in |
| Casters | standard casters | | standard casters | |
| POWER | | | | |
| One-speed winch - average cranks | 28 cranks/m | 8.5 cranks/ft | 28 cranks/m | 8.5 cranks/ft |
| SOUND LEVEL | | | | |
| Sound pressure level | 85 dBA | 85 dBA | 85 dBA | 85 dBA |
| WEIGHT* | | | | |
| | 230 kg | 507 lbs | 252 kg | 555 lbs |



* Weight will vary depending on options and/or country standards.