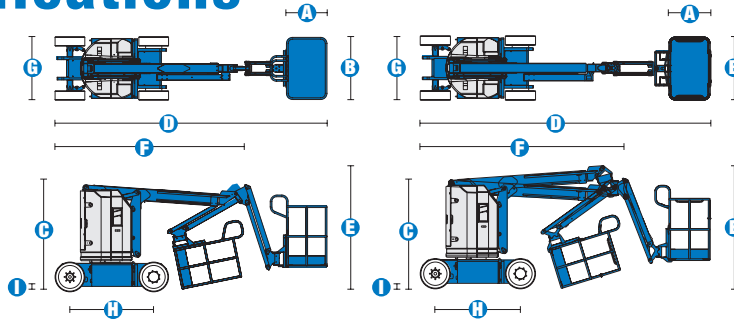


Specifications



MODELS	Z™-30/20N		Z™-30/20N RJ	
MEASUREMENTS	Metric	US	Metric	US
Working height maximum*	11.14 m	36 ft	10.89 m	35 ft 2 in
Platform height maximum	9.14 m	30 ft	8.89 m	29 ft 2 in
Horizontal reach maximum	6.53 m	21 ft 5 in	6.25 m	20 ft 6 in
Up-and-over clearance	3.86 m	12 ft 8 in	3.86 m	12 ft 8 in
A Platform length	76 cm	2 ft 6 in	76 cm	2 ft 6 in
B Platform width	1.17 m	3 ft 10 in	1.17 m	3 ft 10 in
C Height - stowed	2 m	6 ft 6.5 in	2 m	6 ft 6.5 in
D Length - stowed	5.11 m	16 ft 9 in	5.31 m	17 ft 5 in
E Storage height	2.08 m	6 ft 10 in	2.24 m	7 ft 4 in
F Storage length	3.5 m	11 ft 6 in	3.66 m	12 ft
G Width	1.19 m	3 ft 11 in	1.19 m	3 ft 11 in
H Wheelbase	1.58 m	5 ft 2 in	1.58 m	5 ft 2 in
I Ground clearance - centre	9 cm	3.5 in	9 cm	3.5 in

PRODUCTIVITY				
Lift capacity	227 kg	500 lbs	227 kg	500 lbs
Platform rotation	180°	180°	180°	180°
Vertical jib rotation	139° (+72°/-67°)		139° (+72°/-67°)	
Horizontal jib rotation	—	—	180° (2x90°)	180° (2x90°)
Turntable rotation	355° non-continuous		355° non-continuous	
Turntable tailswing	zero	zero	zero	zero
Drive speed - stowed	4.8 km/h	3.0 mph	4.8 km/h	3.0 mph
Drive speed - raised**	30 cm/s	1 ft/s	30 cm/s	1 ft/s
Gradeability***	35%	35%	35%	35%
Turning radius - inside	1.65 m	5 ft 5 in	1.65 m	5 ft 5 in
Turning radius - outside	3.23 m	10 ft 7 in	3.23 m	10 ft 7 in
Controls	24 V DC proportional		24 V DC proportional	
Tyres - solid non-marking	56x18x45 cm	22x7x17.75 in	56x18x45 cm	22x7x17.75 in

POWER				
Power source	48 V DC (Eight 6 V batteries 350 Ah capacity)		48 V DC (Eight 6 V batteries 350 Ah capacity)	
Auxiliary power unit	24 V DC	24 V DC	24 V DC	24 V DC
Hydraulic tank capacity	15.1 L	4 gal	15.1 L	4 gal

SOUND & VIBRATION LEVELS				
Sound pressure level (ground)	<70 dBA	<70 dBA	<70 dBA	<70 dBA
Sound pressure level (platform)	<70 dBA	<70 dBA	<70 dBA	<70 dBA
Vibration	<2.5 m/s ²	<8 ft 2 in/s ²	<2.5 m/s ²	<8 ft 2 in/s ²

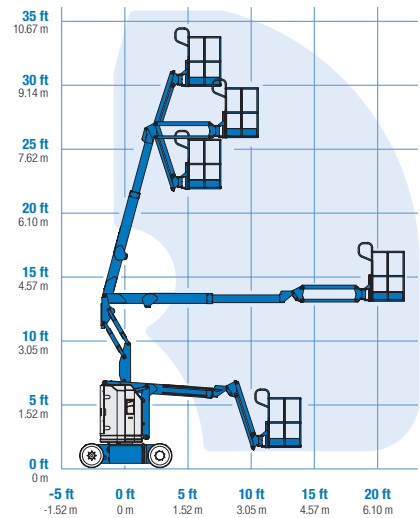
WEIGHT****				
	6,428 kg	14,170 lbs	6,450 kg	14,220 lbs

STANDARDS COMPLIANCE

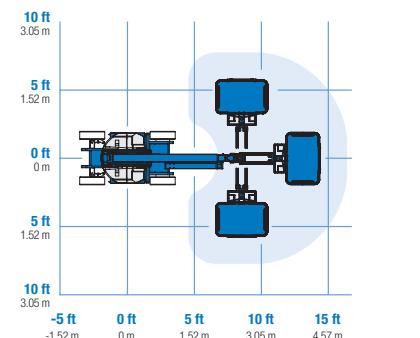
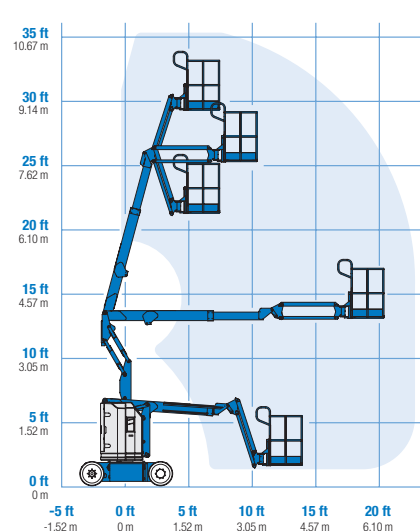
- EU Machinery Directive 2006/42/EC
- EU Standard EN280:2001, A2:2009
- EMC Directive 2004/108/EC EN 61000-6-2, EN 61000-6-4
- EU Low Voltage Directive 206/95/EC EN 60204-1:2006

* The metric equivalent of working height adds 2 m to platform height. U.S. adds 6 ft to platform height.
 ** In lift mode (platform raised), the machine is designed to operate on firm, level surfaces only.
 *** Gradeability applies to driving on slopes. See Operator's Manual for details regarding slope ratings.
 **** Weight will vary depending on options and/or country standards.

RANGE OF MOTION Z™-30/20N



RANGE OF MOTION Z™-30/20N RJ



Features

EASILY CONFIGURED TO MEET YOUR NEEDS

PLATFORM

- Steel 1.17 m (3 ft 10 in) (standard)

JIB OPTIONS

- 1.22 m (4 ft) jib boom
- 1.22 m (4 ft) horizontal rotating jib boom

POWER

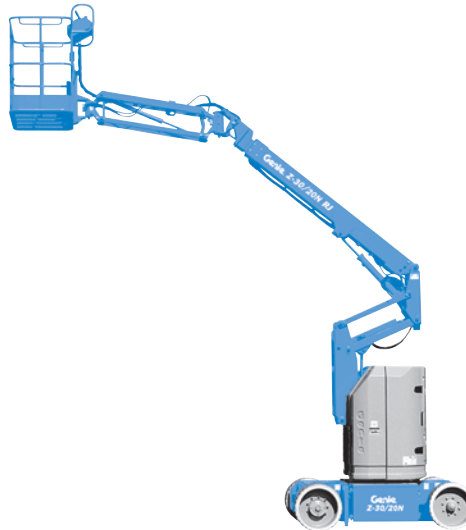
- 48 V DC power source

DRIVE

- 2 x 4

TYRES

- Solid rubber non-marking



STANDARD FEATURES

MEASUREMENTS

Z™-30 N

- 11.14 m (36 ft) working height
- 6.53 m (21 ft 5 in) horizontal reach
- 3.86 m (12 ft 8 in) up-and-over clearance
- Up to 227 kg (500 lb) lift capacity

Z™-30 N RJ

- 10.89 m (35 ft 2 in) working height
- 6.25 m (20 ft 6 in) horizontal reach
- 3.86 m (12 ft 8 in) up-and-over clearance
- Up to 227 kg (500 lb) lift capacity

PRODUCTIVITY

- 1.22 m (4 ft) jib boom with 139° working range
- Self-levelling platform
- Hydraulic platform rotation
- Fully proportional controls
- Thumb rocker steer
- Drive enable
- AC power to platform
- Horn
- Hour meter
- Tilt alarm
- Descent alarm
- Alarm package (flashing beacon & travel alarm)
- 355° non-continuous turntable rotation
- Zero tailswing and front arm swing
- Certified load sensor

POWER

- 48 V DC deep cycle battery pack
- 24 V DC auxiliary power
- Universal 30 A battery smart charger

OPTIONS & ACCESSORIES

PRODUCTIVITY

- Platform swing gate
- Half-mesh platform inserts with swing gate
- Air line to platform
- Power to platform (incl. plug, socket and ground fault interrupt leakage on request)
- Light package: 2 chassis mounted drive lights, 2 platform mounted work lights
- Hostile environment kit: cylinder bellows, boom wiper seals, platform control box cover
- Low temperature cut-out module
- Fire resistant hydraulic oil
- Biodegradable hydraulic oil
- Tilt cut-out option
- Tool tray
- Fluorescent tube caddy*
- Platform work lights
- Lockable platform control box cover

POWER

- Battery charge indicator (BCI)
- Low voltage interrupt with BCI

*Available aftermarket only