

SPECIFICATION

TRACCESS 170 E

TECHNICAL DATA

- Articulated boom (two elements) + telescopic boom (main boom + extension) + jib
- 330° turret rotation on bearing turntable
- Individual, proportional electrohydraulic controls in basket
- Engine start and stop controls from basket
- Basket base in composite material with aluminium guardrails (1300 x 700 x 1100 mm)
- Automatic hydraulically actioned basket levelling
- Basket load sensing device
- N° 4 hydraulic outriggers with ground pressure sensors
- 230 V AC EC electrical socket in the basket
- Gradeability approximately 31%
- Drive speed max 0,8 Km /h
- Electro-hydraulic steering from the ground with an umbilical remote control system
- Electric engine 48V
- Lithium 100 Ah batteries power (charging cycles permitted 2000)
- Working autonomy (estimated) 4-5 hours
- Hour meter
- Standard boom colours blue (RAL 5017) or white (RAL 9010)
- CE certified
- Remote spiral cable for traverse from ground

PERFORMANCE

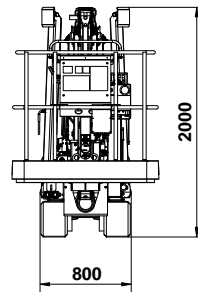
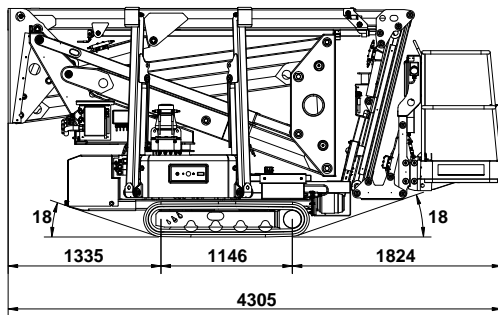
Working height	17 m
Platform height	15 m
Working outreach	7,5 m
Capacity	200 kg
Basket dim.	1300x700x1100 mm
Closed dimensions (transit)	800x2000x4250 mm
Unit weight	2050 kg



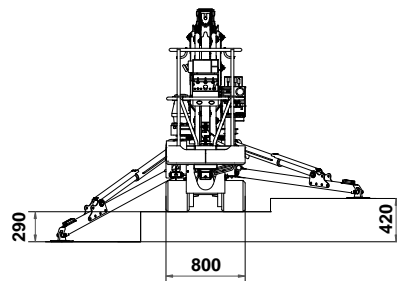
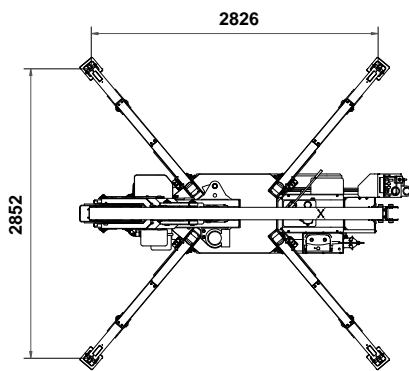
TECHNICAL DETAILS

- 2 x Safety Harness hooking locations on the platform
- Emergency push button
- Emergency manual pump
- Outriggers/boom interlocking facility
- Manual emergency lowering valves
- Cylinders with safety non-return valves
- Intermittent buzzer for traverse and turnable rotation
- Active track braking system automatically applied in stationary mode
- Instructions & Maintenance Manual

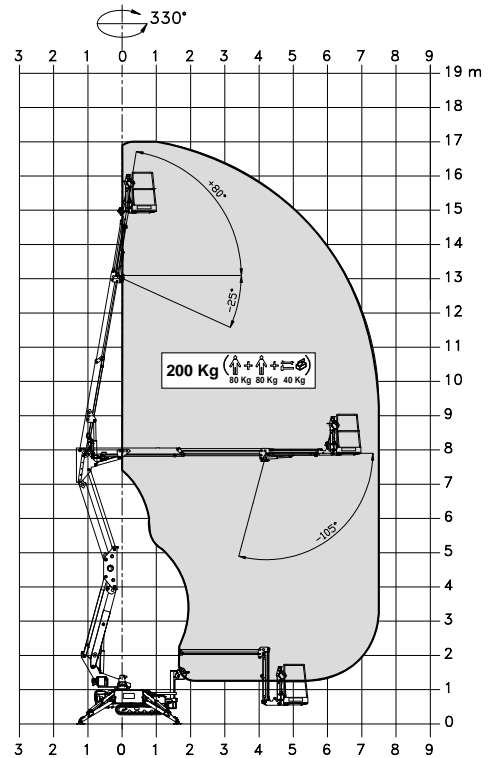
PLATFORM DIMENSIONS



STABILIZATION



WORKING AREA



KEY POINTS

Compact closed dimensions: 80 cm (width) x 200 cm (height)

Individual proportional hydraulic controls

Basket load sensing device

Clean top boom, internal mounted services

Electric engine 48V

200 kg basket capacity throughout entire working area



Product specifications are subject to change without notice or obligation. Technical features and drawings in this brochure are for illustrative purposes only - TRACCESS_170E_ed 06/11_en



CTE S.p.A.

Headquarter and Factory - Rovereto (Tn): via Caproni, 7
ph. +39 0464.48.50.50 - fax +39 0464.48.50.99

Factory - Bertinoro (Fc): viale 2 Agosto, 670
ph. +39 0543.44.88.30 - fax +39 0543.44.83.43

e-mail: info@ctelift.com

CTE UK Ltd - Enderby Leicestershire - UK
CTE FRANCE Sas - Achères - Saint Clair du Rhone - France



www.ctelift.com