

# SPECIFICATION

## TRACCESS 230 - winch version

### TECHNICAL DATA

- Articulated boom (two elements) telescopic boom (main boom + 2 extension) + jib
- Sigma boom movement enabled by connecting rods
- 360° non continuous turret rotation on bearing turntable
- Proportional electro-hydraulic controls with radio remote control
- Engine start and stop controls from radio remote control
- Lifting Winch (250kg capacity)
- Basket load sensing device
- Radio remote control
- Dual drive speed
- Narrow jacking facility
- Extending width tracks
- 230V 2.2 kW electric auxiliary motor
- 15 HP HONDA petrol engine
- Automatic hydraulically actioned support winch levelling
- N° 4 hydraulic outriggers with ground pressure sensors
- Hour meter
- 230 V AC EC electrical socket
- Standard boom colours blue (RAL 5017) or white (RAL 9003)
- CE certified
- Gradeability approximately 31%
- Electro-hydraulic steering from the ground with radio control
- Drive speed max 2 km/h
- 4 stabilization areas with hydraulic placement

### PERFORMANCE

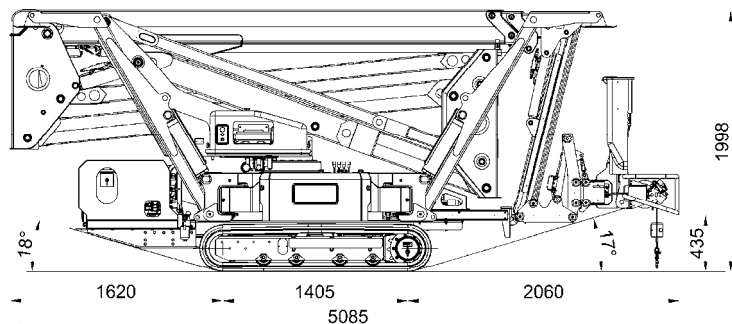
Working height	20,5 m
Working outreach	10 m
Capacity	250 kg
Unit weight	2900 kg



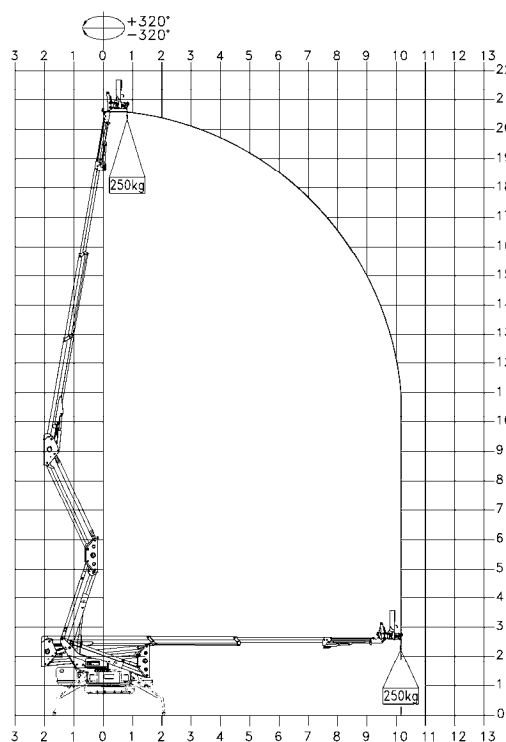
## TECHNICAL DETAILS

- Emergency push button • Emergency manual pump • Outriggers/boom interlocking facility •
- Cylinders with safety non-return valves • Intermittent buzzer for traverse and turnable rotation •
- Active track braking system automatically applied in stationary mode • Instructions & Maintenance Manual

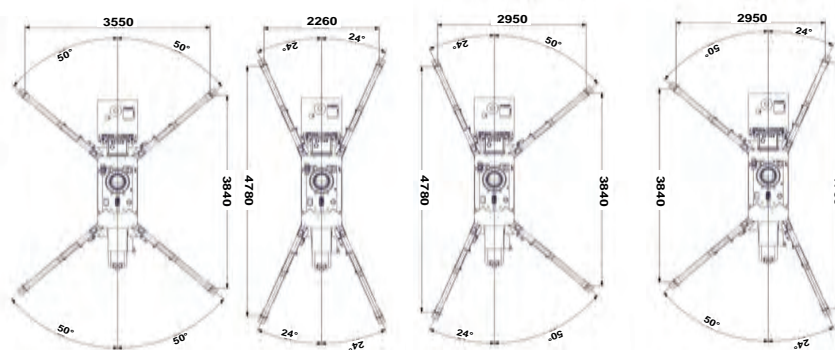
## PLATFORM DIMENSIONS



## WORKING AREA



## STABILIZATION



## KEY POINTS

2,1 mt jib with a working angle of +10°

Autoloading on motor vehicle

4 areas of stabilisation

Stabilization with hydraulic extension

Lifting Winch 250 kg capacity

Digital self-diagnostic for fault checks

Automatic stabilisation



Product specifications are subject to change without notice or obligation. Technical features and drawings in this brochure are for illustrative purposes only. TRACCESS\_230\_winch\_ed 11/11\_en



**CTE S.p.A.**

Headquarter and Factory - Rovereto (Tn): via Caproni, 7  
ph. +39 0464.48.50.50 - fax +39 0464.48.50.99

Factory - Bertinoro (Fc): viale 2 Agosto, 670  
ph. +39 0543.44.88.30 - fax +39 0543.44.83.43

e-mail: [info@ctelift.com](mailto:info@ctelift.com)

CTE UK Ltd - Enderby Leicestershire - UK  
CTE FRANCE Sas - Achères - Saint Clair du Rhone - France



[www.ctelift.com](http://www.ctelift.com)