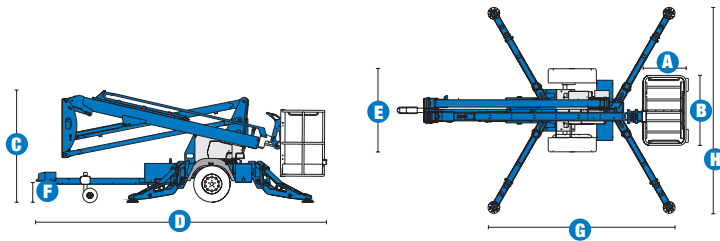


Specifications



MODEL	TZ™-34/20	
MEASUREMENTS	Metric	US
Working height*	12.36 m	40 ft
Platform height	10.36 m	34 ft
Entry height - extended	16 cm	6.4 in
Horizontal reach	5.59 m	18 ft 4 in
Clear out reach	4.09 m	13 ft 5 in
Up-and-over clearance	4.90 m	16 ft 1 in
A Platform length	68 cm	2 ft 2.8 in
B Platform width	1.12 m	3 ft 8 in
C Height - stowed	1.94 m	6 ft 4.5 in
D Length - stowed	5.50 m	18 ft .5 in
E Width - stowed	1.45 m	4 ft 9.1 in
F Ground clearance	24 cm	9.5 in
G Length - outrigger footprint	3.26 m	10 ft 8.4 in
H Width - outrigger footprint	3.59 m	11 ft 9.4 in

PRODUCTIVITY		
Lift capacity - standard	200 kg	440 lbs
Lift capacity - rotating platform	181 kg	400 lbs
Self levelling platform	standard	standard
Platform rotation option 90° mechanical	90° mechanical	
AC power to platform	standard	standard
Turntable rotation	359° non-continuous	
Outrigger levelling capability	11°	11°
Towing speed rate	97 km/h	60 mph
Tongue weight	74 kg	163 lbs
Surge and parking brakes	standard	standard
Controls	variable speed system	
Tyre size	185 R14C tyres	
Coupler	50 mm ball coupler	

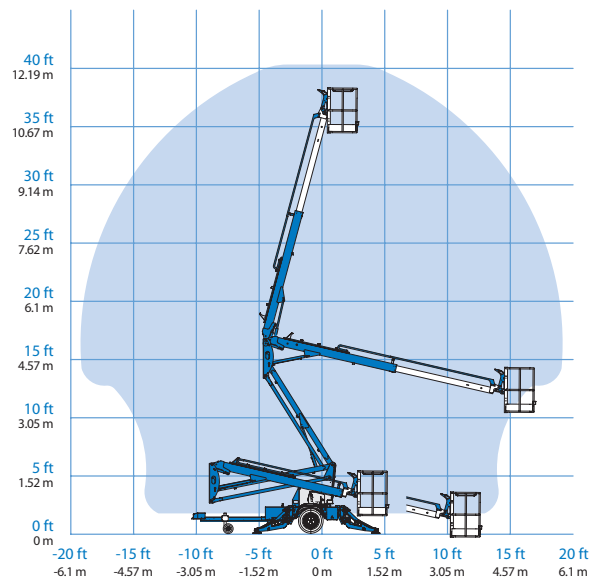
POWER		
Power source	24 V DC (four 6 V 225 Ah batteries)	
Hydraulic tank capacity	14.75 L	3.85 gal
Hydraulic system capacity	17 L	4.5 gal

WEIGHT**		
	1,438 kg	3,170 lbs
Unit weight modifiers for main options	Bicycle guard: add 15 kg (32 lbs) Full size spare tyre: add 27 kg (60 lbs)	

STANDARDS COMPLIANCE

CE EN280, PB-10-611-03

RANGE OF MOTION TZ™-34/20



* The metric equivalent of working height adds 2 m to platform height. U.S. adds 6 ft to platform height.

** Weight will vary depending on options and/or country standards.

Features

EASILY CONFIGURED TO MEET YOUR NEEDS

PLATFORM OPTIONS

- Aluminium .68 x 1.12 m (26.8 x 44 in)
- 90° mechanical platform rotation

POWER

- 24 V DC power source

COUPLER OPTIONS

- 50 mm ball coupler

TYRE

- 185 R14C tyres



STANDARD FEATURES

MEASUREMENTS

- 12.36 m (40 ft) working height
- 5.59 m (18 ft 4 in) horizontal reach
- Up to 200 kg (440 lb) lift capacity

PRODUCTIVITY

- Industry leading working envelope
- Extension boom
- Self-levelling platform
- Variable speed control system
- AC wiring to platform
- Hydraulic outriggers
- Automatic 11° levelling system
- Outrigger interlocks
- Mechanical parking brake
- Hydraulic surge brakes
- Auxiliary pump down
- 50 mm ball coupler
- Dual jockey wheels
- 359° non-continuous turntable rotation
- Easy to access batteries
- Hour meter
- Tilt alarm / sensor
- Forklift pockets
- Illuminated outrigger indicators
- Certified load sensor
- Wheel chocks
- Spare tyre
- Battery charge indicator (BCI)
- Descent alarm
- Automatic battery charger

POWER

- 24V DC power source
(four 6V 225 Ah batteries)

OPTIONS & ACCESSORIES

PRODUCTIVITY

- 90° mechanical platform rotation
- Fluorescent tube caddy*
- Operational warning beacon package
- Low temperature cut-out module
- Non-marking outrigger footpads
- Horn
- Tool tray
- Bicycle guard**

* Available aftermarket only

** Standard in The Netherlands, France, Denmark